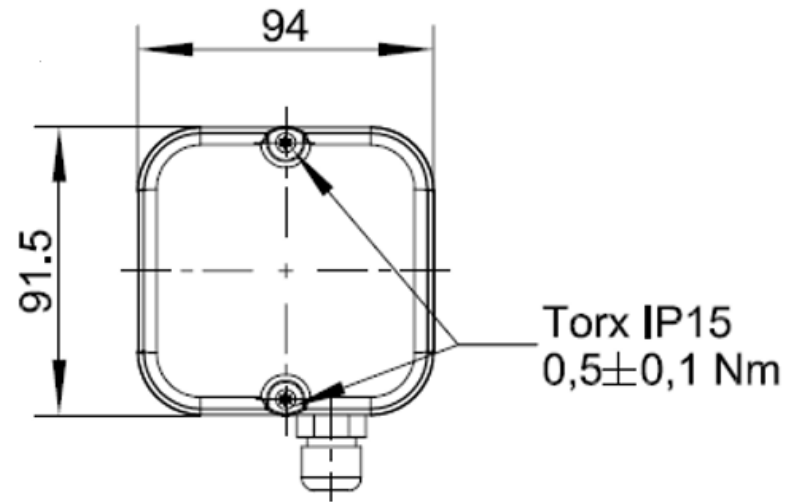


# Product Change Notice

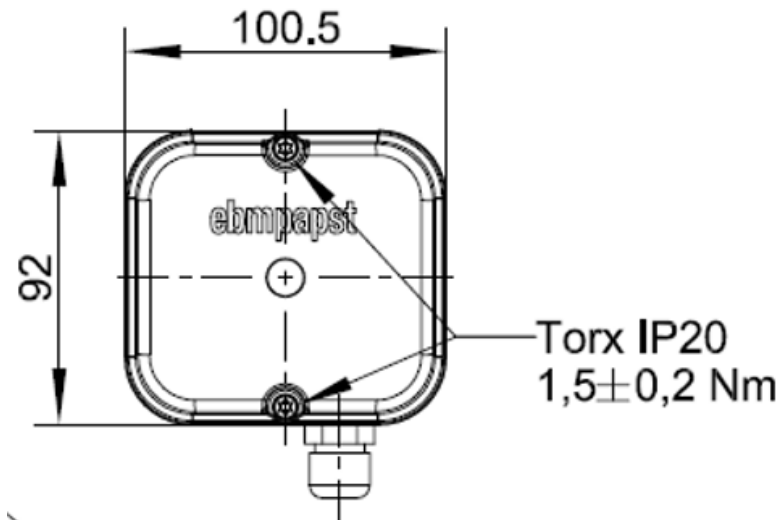
Date:	June 2, 2020
Overview:	Obsolescence of original style terminal boxes with replacement by updated versions
Reason for Change:	The terminal boxes have been updated to feature an improved sealing system and slightly enlarged to allow for more wiring space
Affected Part No(s):	64444-1-7612 64442-1-7612
Design Change Detail:	Original PN 64444-1-7612 has been discontinued and replaced by updated PN 67444-1-7612  Original PN 64442-1-7612 has been discontinued and replaced by updated PN 67442-1-7612
Effective Date:	Immediately
Last Time Buy Deadline:	N/A
Pricing:	Included in NPT
ebm-papst employee:	Jeannine Zenobi
Attachments:	Comparison of the original and updated terminal boxes including dimensions
Comments:	N/A

Form No: 1274	Quality Record - No	Page 1 of 1
Rev. – Orig, Released 08/28/14	Retention Period – 1 year	Dept. Owner – Sales/Marketing

# Terminal Box Comparison



(Original)



(Updated)